



MAN CLA 25.280 6x4

Box Body Construction Tipper



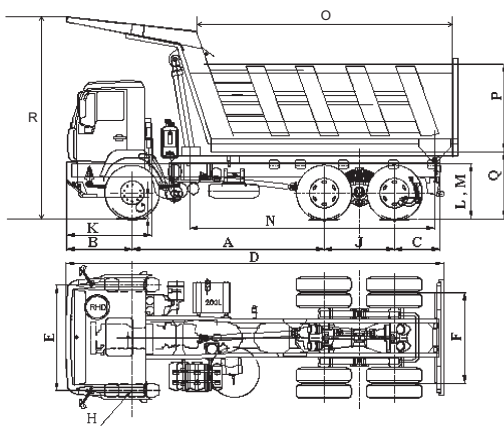
MAN CLA 25.280 6X4 Box Body Construction Tipper

MAN Advantage

- BS-III Compliant, MAN D-0836 Turbo charged, Inter cooled Engine with Electronically Controlled Common Rail System, Environment friendly, Fuel Efficient, Most reliable.
- MAN **Planetary Axle** with **Hub Reduction, inter axle and differential lock** providing superior traction, high ground clearance. Unmatched reliability and outstanding gradeability
- MAN patented **Exhaust Valve Brakes (EVB)** in combination with LSV provides extra safe braking and long life.
- Extra Strong ladder frame chassis, special high strength steel provides high torsional and bending stress capability. Specially treated for corrosion resistance.
- New generation aerodynamic cabin with heat and sound dampeners. Hydraulically operated tilt cabin mechanism - Maximum comfort and safety for driver.
- Prompt and efficient after sales service provided by a nation wide network of main and associate dealers, parts depots, mobile service vans, 24x7 helpline.

Applications

- High Volume 16 cu.m. Tipper Body for Construction Site.



Technical Specifications

Dimensions (mm.)

Wheelbase (A+J/2)	4525
Front Overhang (B)	1293
Rear Overhang (C)	900
Overall Length (D), Chassis (with body - 7895)	7507
Front Track (E)	2075
Rear Track (F)	1816
Minimum Ground Clearance At Front / At Rear	385/327
Turning Radius (H)	8500
Distance Between Two Rear Axles (J)	1400
Cabin Length (K)	1719
Unladen Chassis Height from Ground (L)	1157
Laden Chassis Height from Ground (M)	1107

Tipper Body

Pivot Length (N)	4850
Tipper Body Length (O)	5190
Tipper Body Height (P)	1360
Tipper Body Clearance from Ground (Q)	1405
Overall Height of Tipper from Ground (R)	3455
Tipping Angle	48°

Weights in kg	Unladen (Kerb Weight)*	Laden
Front Axle	4057	6000
Rear Axle	7773	19000
Total	11830	25000

* Nominal Values

Engine	MAN D-0836 LFL 13
Type	DI, Turbo Charged Intercooled
No. Of Cylinders	6, Inline
Displacement	6.9 Litres
Max Power output	280 HP (206 kW) @ 2400 r/min
Max Torque	1100 Nm @ 1300-1700 r/min
Emission Compliance	BS-III (Euro-III)
Fuel System	Bosch Common Rail
Fuel Tank	200 Litres

Clutch : Single Plate – Pull Type, Power Assisted, 430 mm Dia

Gearbox : ZF 9S 1110 OD, 9 -speed Synchromesh Gearbox

Front Axle : Heavy Duty Straight Forged I-Beam type, Maintenance free Hub Bearings

Rear Axle : MAN H9 & HD9, 13120 Planetary Axles with Hub Reduction, Interaxle & Wheel Differential Locks & Stabilisers for Twin Axles

Rear Axle Ratio : 7.63 : 1

Chassis Frame : C-channel rolled section, side-members and cross-members made of high-strength steel

Steering : Power steering - ZF 8043, Telescopic & Adjustable

Brakes : S-Cam, Dual-circuit, Air Actuated Drum brakes, Automatic slack adjuster and asbestos-free brake linings, Exhaust Valve Brake (EVB).

Suspension :

Front : Semi Elliptical Leaf springs with Double Acting Shock absorbers

Rear : Heavy Duty Bogie Type Suspension

Cabin : MAN DAY CAB, AC Optional

Hydraulic Cab Tilt with tilt angle of 60 degrees

Wheels & Tyres :

Wheel Rim Size 7.5" x 20"

Tyres 11.00 X 20

Twin mounted tyres on rear axles. Spare wheel with tyre.

Electrical System:

Double pole wiring system with separate ground wire harness enclosed in safe sheathing/casing

Battery capacity 2x100 Ah, 24V

Alternator capacity 80 AMP

Performance Data :

Max. Gradeability Crawler Gear 56 %

Max. Startability Crawler Gear 51 %

Max. Speed (in Top Gear) 78 kmph

Economy speed range on top gear 45-58 kmph

MAN Trucks India Pvt. Ltd.

501-502, Kapil Zenith, Survey No. 55, Hissa No. 1,
Behind Maratha Mandir, Bavdhan (KH), Pune 411 021, India
Tel: +91 20 6676 2525 | www.mantrucksindia.com

A member of the MAN Group

Printed in INDIA
Text and illustrations not binding.
Subject to changes in the course of technical progress.

